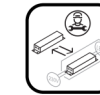


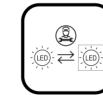
Installation Instructions

Wimbledon Court Sports Light

Input	120–240V AC 50/60Hz
Power	200W / 320W
Operating Temp	-30°C -+50°C
Connection Type	Fly Lead 0.3m / IP65 Connector
Light Source Energy Rating	B



Professionally Replaceable



Professionally Replaceable



5 YR Product Warranty



Class I



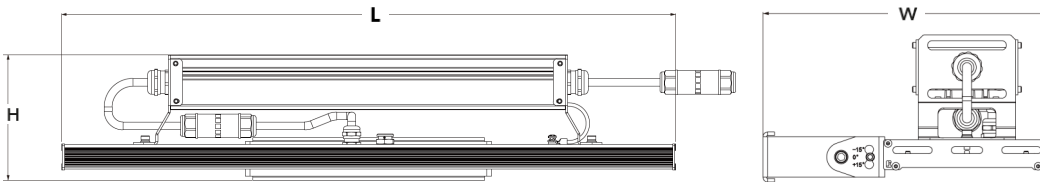
IP66 Ingress Protection

Box Contents:

- Wimbledon Court Sports Light
- Mounting Bracket

Tools Required For Installation:

- Wire Strippers / Cutters
- Spanner / Socket Set
- Screwdrivers
- Hex Keys
- Spirit Level



Dimensions:

Part No.	Description	L (mm)	W (mm)	H (mm)	Weight
431240	Wimbledon 200W	621	248	127	3.70 kg
431241	Wimbledon 190W 250W 320W	929	248	127	4.75 kg

WIDTH INCLUDES MOUNTING BRACKET

End Of Life Disposal:

Disassembly instructions for end of life disposal available on website.
 Disposal of Electronic Equipment WEEE Directive 2002/96/EC This product falls within the scope of the Waste Electrical & Electronic Equipment Directive (WEEE), which means the product should not be disposed of as normal household waste. Please recycle where facilities exist or check with your Local Authority. RoHS - All components and materials used in this product are RoHS 2002/95/EC compliant. Specifications may change from time to time. The information contained in this leaflet is for guidance only and should not be considered as always accurate and should be treated as not representative.

READ THESE INSTRUCTIONS THOROUGHLY BEFORE INSTALLATION

KEEP THESE INSTRUCTIONS FOR FUTURE REFERENCE.

IMPORTANT:

This product must be installed by a qualified electrician or competent person and in accordance with current building and IET wiring regulations.

Warranty:

This luminaire is warranted for a period of 5 years from the date of purchase**. The warranty could be invalidated should the light fitting not be installed according to these instructions, outside the scope of the specification or the product has been altered or tampered with in any way. Please see website for terms and conditions.

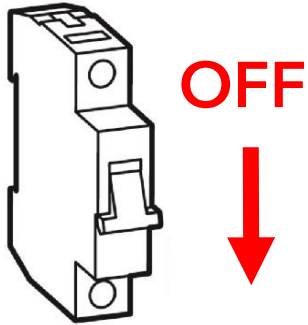
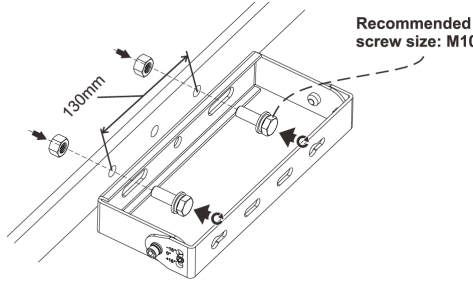
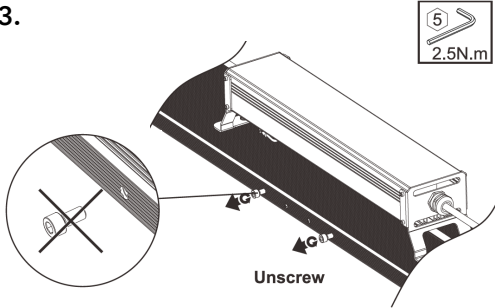
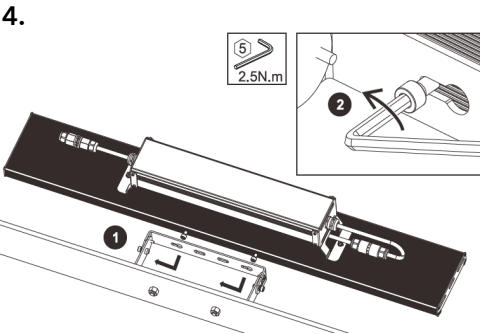
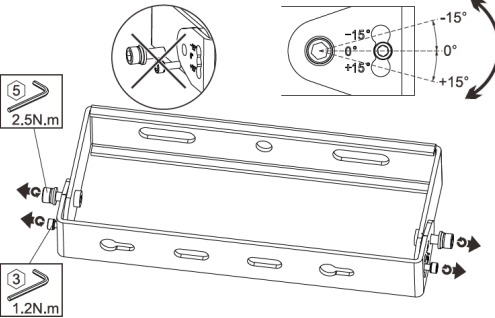
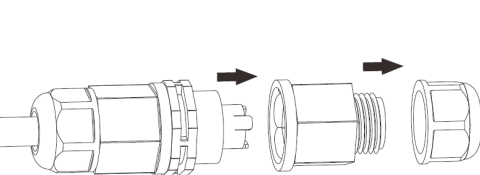
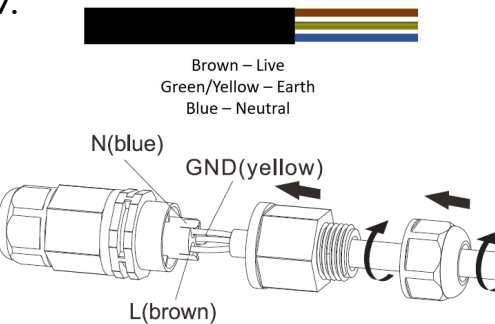


WARNING: Risk of electric shock!
Isolate the mains power before proceeding.

- Turn off the mains power before performing inspections, installation or removal.
- Verify that the supply voltage is correct by comparing it with the luminaire label information.
- It is the installer's responsibility to ensure installation is suitable for the total load of the luminaire(s). The supply cable, fuses/circuit breakers must be correctly rated for the electrical load and considered for any transient inrush currents that may occur.
- Do not perform insulation strength or resistance tests while installed luminaire(s) are connected.

Installation Procedure:

1. Ensure power is off and safe isolation procedures are followed.
2. Securely fix the bracket to its mounting position, either a solid structure or the Wimbledon Court Sports Light Post Mount.
3. Carefully loosen the bolts from the side of the Wimbledon Court Light, take care to not unscrew them from the casing completely.
4. Slide the loosened screws into the mounting holes of the bracket and lock into position by tightening with a suitable tool.
5. Check that the Wimbledon Court Light is level. If adjusting the angle of the light fitting make careful adjustments to the mounting bracket before affixing the luminaire.
6. Locate the mains cable connector. Unscrew the end that does not have a cable to reveal the empty mains input terminals.
7. Securely connect Live (Brown), Neutral (Blue) and Earth (Yellow/Green) wires to relevant terminals. Then close the connector.
8. Turn on the mains supply and test the operation of the luminaire.

<p>1.</p> 	<p>2.</p> 
<p>3.</p> 	<p>4.</p> 
<p>5.</p> 	<p>6.</p> 
<p>7.</p> 	<p>8.</p> 